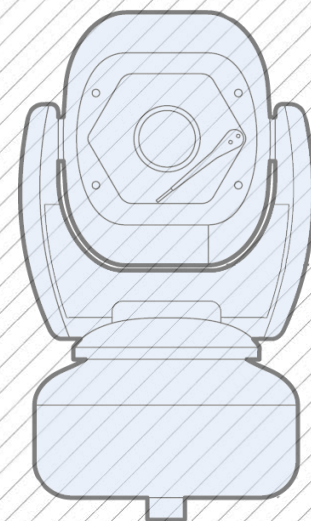


THE OCULUS RANGE



OCULUS SCOUT

RANGE	VIDEO Full HD 1080p	CAMERA 640 X 480 Fixed Lens Uncooled Thermal	POPULAR APPLICATIONS	
Short to Medium	Lens: 4.3mm to 129mm (30x) Zoom Lens	Lens: 14mm	Public Open Spaces	
		Lens: 35mm	Vehicle/Portable Surveillance	
		Lens: 50mm	Perimeter Security	

Please enquire further for our full range of camera, lens and ancillary options available on the Oculus platform.

OCULUS THERMAL CAMERA OPTIONS

Camera	Oculus Scout
Detector Type	Uncooled VOx Microbolometer
Resolution	640 x 480
Pixel Size	17µm
Spectral Band	8 to 14µm (LWIR)
Sensitivity	<50 mK (NEΔT) f/1.0 @ room temperature
Frame Rate	25 Fps (9 fps, 30 fps options)
Frequency	25Hz (9Hz, 30Hz options)
Digital Pan and Zoom	4 x Digital zoom, Region of Interest
Digital Video	14/8-bit LVCMOS/Camera Link®
Image Stabilisation	Yes (cost option)
Image Enhancement	Image Contrast Enhancement (ICE™)
Image Control	Polarity: White Hot / Black Hot. Orientation: Invert / Revert
Video Output	IP and Composite (PAL / NTSC)
Window	Germanium thermal optical glass, with a Low Reflection Hard Carbon (HCLR) coating

OCULUS VIDEO CAMERA OPTIONS

Camera	Oculus Scout
Sensor	1/2.8" CMOS Exmor (2.13MP)
Sensor Mode	Full HD 1080p (1920 x 1080) HD
Wide Dynamic Range	Yes (120dB)
Video Performance (High Sensitivity Mode)	Colour 0.01 lux Mono 0.0008 lux
White Balance	Auto, push and manual
Automatic Level Control	Auto / manual
Shutter	1/1s to 1/10,000
Day/Night Mode	Auto, colour, monochrome
Defog	Yes
Video Output	IP (HD-SDI option)
Window	High Definition optical quality glass with a low reflection and water resistant coating

OCULUS PAN AND TILT PLATFORM

Camera	Oculus Scout
Repeatability	0.05°
Speed Control	0.01°
Pan Rotation	360° continuous
Pan Speed	180° per second (excluding ramping)
Tilt Range	+90° to -30° upright [-68° inclined], +30° to -90° inverted
Tilt Speed	180° per second (excluding ramping)
Fixing Material	Stainless steel with external fall protection
Housing Finish	White powder marine grade paint finish (other colours are available upon request)
IP Rating	IP67
Temperature Range	-20°C (-4°F) up to 65°C (149°F) [-40°C with optional heater]
Power	14 to 36VDC or 14 to 26VAC, 45W peak (100W with optional heater) (20W typical in low power mode when idle without heater)

Please enquire further for our full range of camera, lens and ancillary options available on the Oculus platform.