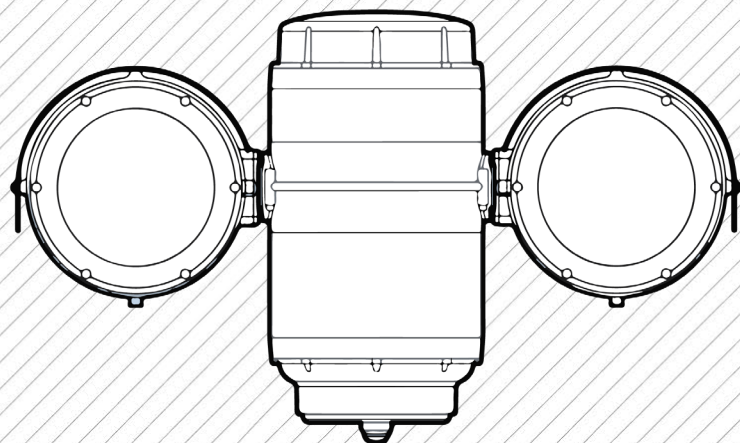


# THE OSIRIS RANGE



## OSIRIS SCOUT

RANGE	VIDEO	CAMERA	POPULAR APPLICATIONS	
	Full HD 1080p	640 X 480 Fixed Lens Uncooled Thermal		
Short to Medium	Lens: 4.3mm to 129mm (30x) Zoom Lens	Lens: 50mm	Public Open Spaces	
		Lens: 65mm	Vehicle/Portable Surveillance	
		Lens: 100mm	Perimeter Security	

## OSIRIS RANGER

RANGE	VIDEO	CAMERA	POPULAR APPLICATIONS	
	Full HD 1080p	640 X 480 Zoom Lens Uncooled Thermal		
Medium to Long	Lens: 15.2mm to 500mm (33x) Zoom Lens	Lens: 26mm to 105mm (4x)	Maritime	
		Lens: 25mm to 150mm (6x)	Perimeter Security	
		Lens: 25mm to 225mm (9x)	Homeland Security	

## OSIRIS RANGER LR

RANGE	VIDEO	CAMERA	POPULAR APPLICATIONS	
	Full HD 1080p	640 X 480 Zoom Lens Uncooled Thermal		
Medium to Long	Lens: 15.2mm to 500mm (33x) Zoom Lens	Lens: 25mm to 150mm (6x)	Border Security	
		Lens: 25mm to 225mm (9x)	Maritime	
		Lens: 40mm to 300mm (7.5x)	Homeland Security	

## OSIRIS SEARCHER

RANGE	VIDEO	CAMERA	POPULAR APPLICATIONS	
	Full HD 1080p	640 X 512 Zoom Lens Cooled Thermal		
Medium to Long	Lens: 16.7mm to 1000mm (60x) Zoom Lens (33.4mm to 2000mm with 2x extender)	Lens: 15mm to 300mm (20x)	CNIS	
		Lens: 35mm to 690mm (19.7x)	Border Security	
		Lens: 45mm to 900mm (20x)	Homeland Security	

## OSIRIS THERMAL CAMERA OPTIONS

Camera	Scout	Ranger	Ranger LR	Searcher
Detector Type	Uncooled Vox Microbolometer			Cooled InSb FPA
Resolution	640 x 480			640 x 512
Pixel Size	17µm		12µm	15µm
Spectral Band	8 to 14µm (LWIR)		7.5 to 13µm (LWIR)	3.4 to 5.1µm (MWIR)
Sensitivity	<50mK (NEdT) f/1.0 @ room temperature		<30mK (NEdT) f/1.0 @ room temperature	<25mK (NEdT) @ room temperature
Frame Rate	25 Fps (9 fps, 30 fps options)			25Hz (30Hz option)
Frequency	25 Hz (9 Hz and 30 Hz options)			
Digital Pan and Zoom	4x Digital zoom, Region of Interest			4x
Digital Video	14/8-bit LVCMOS/Camera Link <sup>®</sup>		16 Bit Camera Link up to 60Hz <sup>®</sup>	-
Image Stabilisation	Yes (cost option)		Yes	
Image Enhancement	Image Contrast Enhancement (ICE <sup>™</sup> )		CLAHE / LAP Alpha Blending	Linear AGC, CLAHE, LAP
Image Control	Polarity: White Hot / Black Hot Orientation: Invert / Revert		Polarity: White Hot / Black Hot, various user palettes. Orientation: Invert / Revert	White Hot / Black Hot / Noise Reduction / Sharpen
Boresight	Yes			
Rapid Release Mechanism	Yes			
Video Output	IP and Composite (PAL / NTSC)			
IP Rating	IP67			
Temperature Range	-30°C (-22°F) up to 65°C (149°F) [-40°C with optional heater]			
Power	28-32vDC, 0.6A, 16W (excludes heater at 65W)	28-32vDC, 1.2A, 33W Peak (excludes heater at 65W)		28-32vDC, 1.7A, 49W Peak (excludes heater at 65W)
Window	Germanium thermal optical quality glass, with a Low Reflection Hard Carbon (HCLR) coating			Vanadium thermal optical quality glass, with a Low Reflection Hard Carbon (HCLR) coating
Housing Material	Iridited aluminium			
Housing Finish	White powder marine grade paint finish (other colours are available upon request)			
Housing Model	HT06		HT07	

## OSIRIS VIDEO CAMERA OPTIONS

Camera	Scout	Ranger	Ranger LR	Searcher
Sensor	1/2.8" CMOS Exmor (2.13MP)	1/1.8" CMOS (Total sensor pixels 6.1MP)		
Sensor Mode	Full HD 1080p (1920 x 1080) <b>HD</b>			
Wide Dynamic Range	Yes (120dB)	Yes (103dB)		
Video Performance (High Sensitivity Mode)	Colour 0.01 lux Mono 0.008 lux	Colour 0.00825 lux Mono 0.00275 lux		
White Balance	Auto, push and manual			
Automatic Level Control	Auto / manual			
Shutter	1/1s to 1/10,000	1/25 [30] to 1/15,000		
Day/Night Mode	Auto, colour, monochrome			
Defog	Yes			
Video Output	IP & Composite (HD-SDI option) (PAL / NTSC)	IP and Composite (PAL / NTSC)		
Housing Model	HT06	HT07		HT07XL

## OSIRIS PAN AND TILT PLATFORM

Repeatability	0.002°
Speed Control	Zoom dependant speed control
Pan Rotation	360° continuous
Pan Speed	0.02° to 45° per second
Tilt Range	+90° to -90°
Tilt Speed	0.02° to 45° per second
Housing Material	Cast hard anodised aluminium
Housing Finish	Powder marine grade paint finish
Colour	White (other colours available upon request)
IP Rating	IP67
Temperature Range	-30°C (-22°F) up to 65°C (149°F) [-40°C with optional heater]
Power	28-32vDC, 1.2A, 33W Nominal / 1.8A, 50W Peak (excluding camera payload)