



**EXTRA  
SPACE**

**Technical Description for TransPAK Cabins**

**TRANSPAK**

## Technical Description for TransPAK Cabins

### TRANSPAK

#### In General:

The following description refers to the specification and design of new, standard cabins.

Our cabins match the ISO-norm dimensions and have therefore many advantages of that system. They consist of a solid frame construction and interchangeable wall panels.

#### Dimensions (mm) and weights (kg):

Type	external			internal			weight
	length	width	height	length	width	height	
10' Office cabin	2,989	2,435	2,591 2,800	2,795	2,240	2,340 2,540	1,346 1,393
16' Office cabin	4,885	2,435	2,591 2,800	4,690	2,240	2,340 2,540	1,750 1,809
20' Office cabin	6,055	2,435	2,591 2,800	5,860	2,240	2,340 2,540	1,988 2,056
24' Office cabin	7,335	2,435	2,591 2,800	7,140	2,240	2,340 2,540	2,307 2,383
30' Office cabin	9,120	2,435	2,591 2,800	8,925	2,240	2,340 2,540	2,763 2,846

#### 1.) FLOOR:

- frame construction:
  - made from cold rolled, welded steel profiles, 3 mm thick
  - 4 corner casts, welded
  - 2 fork lift pockets (except 30') - distance 2,050 mm (inside clearance of fork lift pockets: 352 x 85 mm)
  - steel cross members with omega profiles, thickness = 2.5 mm
- insulation:
  - 60 mm thick mineral wool slabs (density 16 - 24 kg/m<sup>3</sup>)
  - flammability class A - non combustible
  - smoke density class Q1 - low smoke emission
  - both in accordance with ÖNORM B 3800
- subfloor:
  - 0.63 mm thick, galvanised steel sheets
- floor:
  - 20 mm chipboard
  - water resistant (V 100)
  - The chipboard complies with the emission value E1 (definition according to DIBt directive 100, version June 1994)
  - 1.5 mm thick vinyl floor cover
  - flammability class B1 - hardly combustible
  - smoke density class Q1 - low smoke emission
  - welded seams

## **2.) ROOF:**

- frame construction:
  - made from cold rolled, welded steel profiles, 3 mm thick
  - 4 corner casts, welded
  - wooden cross members l x w = 100 x 40 mm
- roof cover: - 0.63 mm thick, galvanised steel sheet, double folded joint along the whole cabin length
- insulation: 100 mm mineral wool slabs (density 16 - 24 kg/m<sup>3</sup>)  
flammability class A - non combustible  
smoke density class Q1 - low smoke emission  
both according to ÖNORM B 3800
- ceiling: - 10 mm chipboard (V 20), laminated on both sides, white  
The chipboard complies with the emission value E1  
(definition according to DIBt directive 100, version June 1994)
- CEE connectors: recessed in frame on short end side

## **3.) CORNER POSTS:**

- cold rolled 4 mm thick steel profiles  
steel quality S275JR+AR (St 44)  
screwed to the roof and floor frame

## **4.) WALL PANELS:**

- wall thickness: 70 mm
- panel types:
  - full panel
  - door panel
  - window panel
  - sanitary window panel
  - half panel
- external cladding: corrugated, galvanised and coated steel sheet  
0.63 mm thick
- insulation: - 60 mm mineral wool slabs (density 16 - 24 kg/m<sup>3</sup>)  
flammability class A - non combustible  
smoke density class Q1 - low smoke emission  
both according to ÖNORM B 3800
- internal cladding: - 10 mm laminated chipboard (V 20), light oak  
The chipboard complies with the emission value E1  
(definition according to DIBt directive 100, version June 1994)

## **5.) PARTITION WALLS:**

(optional)

- wall thickness: 60 mm
- panel types:
  - full panel
  - door panel
- frame: - 40 mm thick wooden frame
- cladding on both sides: - 10 mm laminated chipboard (V 20), light oak  
The chipboard complies with the emission value E1  
(definition according to DIBt directive 100, version June 1994)

## **6.) DOORS:**

- external door:
  - right or left hand hinged
  - door blade with galvanised steel sheets on both sides, 40 mm insulation
  - steel frame with triangular wraparound sealing
  - dimensions:
 

nominal dimensions	internal clearance
875 x 2,000 mm	811 x 1,940 mm
  
- internal door:
  - right or left hand hinged
  - door blade with galvanised steel sheets on both sides
  - steel frame with triangular wraparound sealing
  - dimensions:
 

nominal dimensions	internal clearance
625 x 2,000 mm	561 x 1,940 mm
875 x 2,000 mm	811 x 1,940 mm

## **7.) WINDOWS:**

- uPVC-windows with double glazing and integrated roller shutter box; colour: white
- one hand tilt & turn mechanism
- window dimensions: 945 x 1,200 mm
- roller shutter box with blind fastener. height 145 mm, lamella colour: light grey

ATTENTION: The built-in insulation glass is only suitable for use at altitudes up to 1,100 m above sea level; above 1,100 m pressure compensation must be undertaken.

## **8.) ELECTRICAL INSTALLATION:**

construction: concealed cabling

- technical data:
  - recessed CEE external plug and socket connections
  - voltage 230/400 V
  - 50 Hz, 3/5 poles, 32 A
  - circuit diagram for assembly provided inside the consumer box
  - consumer box, surface type, single-row/twin row
  - residual current operated device 63 A/0.03 A      2/4 poles
  - circuit breaker 10 A (light)      2 poles
  - circuit breaker 13 A (convector heater)      2 poles
  - circuit breaker 13 A (sockets)      2 poles
  - 2 twin wall sockets
  - light switch
  - 2 twin batten fluorescent light tubes with plastic covering 2 x 36 W
  - 1 convector heater 2kW
  
- earthing: Earthing conductor of galvanised flat steel and clamp. The protective earthing installation on site must be carried out by the buyer/hirer.
  
- safety advice: The cabins can be linked electrically at the external CEE plugs and sockets. For the decision how many units to connect electrically the expected constant current in the link circuits has to be

considered. The commissioning has to be carried out by an approved electrician.

Accompanying instructions for assembly, commissioning, use and servicing of the electrical installation can be found in the distribution box and must be observed!

**9.) HEATING AND  
AIR CONDITION:**  
(optional)

Individual heating through frost heaters, thermostatically controlled electric convectors and/or fan heaters with safety switch for overheating.  
Mechanical air circulation via extract fans. Airconditioned units can be supplied on request.  
Regular ventilation of the rooms must be provided – a relative humidity of 60 % at 20°C should not be exceeded in order to avoid condensation!

**10.) INSULATION:**

- floor:	thickness = 60 mm	U= 0.54 W/m <sup>2</sup> K
- roof:	thickness = 100 mm	U= 0.37 W/m <sup>2</sup> K
- panel:	thickness = 60 mm	U= 0.59 W/m <sup>2</sup> K
- window:	thickness = 4/16/4 mm	U= 2.40 W/m <sup>2</sup> K
- gas filled window: (optional)	thickness = 4/16/4 mm	U= 1.10 W/m <sup>2</sup> K

**11.) SOUND INSULATION:**

33 - 44 dB (according to ISO L40/V)

**12.) TRANSPORT HEIGHT:**

The office cabins can also be delivered flatpacked. Standard packet height (cabins without partition walls and A/C unit) 648 mm. Four units match the same dimensions of a ready assembled cabin. Other transport heights on request (depending on equipment).

**13.) LOAD BEARING  
CAPACITY:**

**floor load:** -ground floor: max. load capacity 2.0 kN/m<sup>2</sup> (200 kg/m<sup>2</sup>)  
-top floors: max. load capacity 1.5 kN/m<sup>2</sup> (150 kg/m<sup>2</sup>)

**snow load:** max. load capacity 1.0 kN/m<sup>2</sup> (100 kg/m<sup>2</sup>)

**wind load:** 25 m/s (90 km/h)

In case of strong winds an additional anchoring of the cabins is required (bracings, boltings, supports etc.).

**14.)  
CONSTRUCTION/ASSEMBLY/  
STATICS:**

General:  
Each individual cabin must be placed on foundations provided on site (e.g. wood, concrete) with at least 4 points of support for 10' cabins, 6 points of support for 16' or 20' cabins (attachment 3) and 8 points of support for 24' or 30' cabins (attachment 4).  
The dimensions of the foundation has to be adapted to local circumstances, norms and frost line, under consideration of the local soil condition and the maximum possible loads.  
The levelness of the foundation is a precondition for a smooth assembly and the failure-free standing of the entire construction.

During set up or placement of the cabin (constructions), maximum permitted loads and regional conditions (e.g. snow loads) must be taken into account.

Possible combinations of several cabins:

Individual cabins can be selectively configured next to, behind, or on top of each other, while bearing in mind the structural indications and the max. permitted loads. For one-level (ground level) constructions, the cabins may be placed arbitrarily and without restriction regarding quantity. For two- and three-storey buildings, the combination possibilities presented in appendix 1 (10', 16' and 20' cabins) or in appendix 2 (24' and 30' cabins) must be followed. All statements are limited to cabins with max. external height of 2.8 m.

In case the cabins are linked in other combinations than presented in appendix 1 (10', 16' and 20' cabin) or appendix 2 (24' and 30' cabin), we can give no statement about the max. permitted wind load. We categorically recommend keeping a distance from such a practice or to carry out additional anchorings (boltings, supports etc.) with the approval of authorised experts.

Containex denies any warranty for damages, which may result from placement contrary to the principles. Liability for consequential damages is excluded on principle.

**15.) HANDLING:**

- with fork lift
  - with crane: the angle between the rope and the horizontal line must be a minimum of 60°
- Due to construction and design, handling with spreader is not allowed.  
(appendix 5 and 6)

**16.) QUALITY CONTROL:**

Germanischer Lloyd „Type test“  
(except 24' and 30')

**17.) PAINT:**

Paint system with high weather and ageing resistance, suitable for urban and industrial atmosphere.

- wall panels: 25  $\mu\text{m}$  paint thickness
- frame: 15-40  $\mu\text{m}$  primer  
40-60  $\mu\text{m}$  topcoat

The painting of above mentioned parts is carried out with different types of production. These achieve shades similar to RAL. We do not accept liability for colour variations in comparison with the RAL tones.

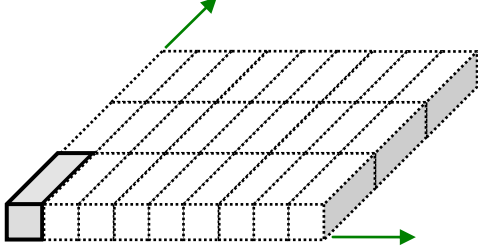
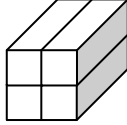
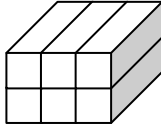


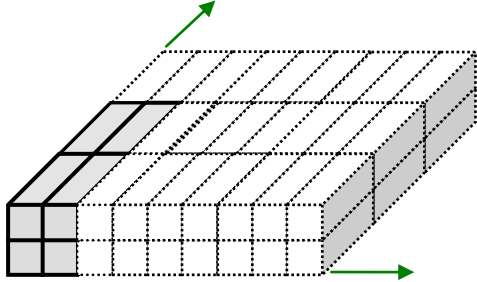
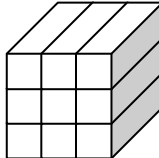
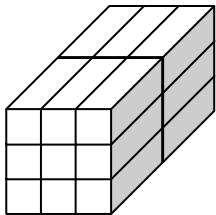

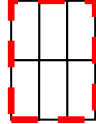
The buyer is responsible to ensure that magisterial and legal requirements concerning storage, assembly and use of the cabins are met.

Subject to technical alterations.

Appendix 1

**Matrix of possible cabin combinations for 10', 16', 20' cabins**

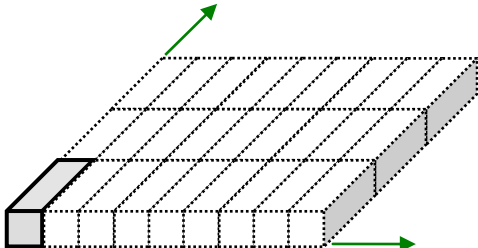
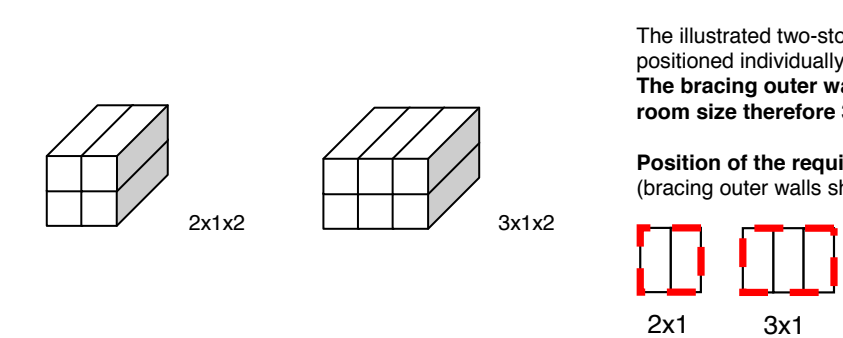
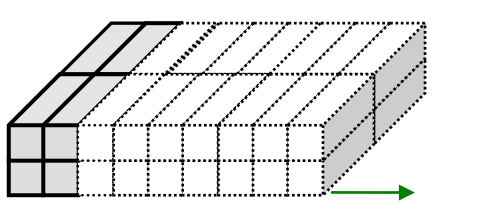
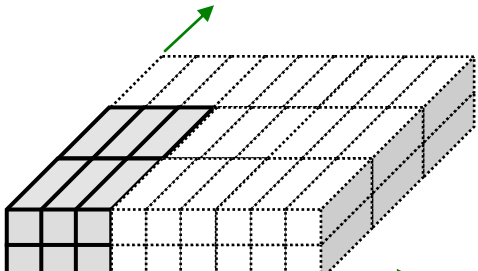
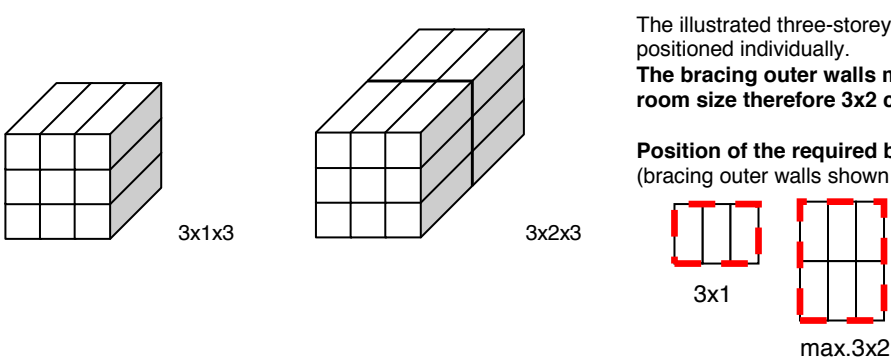
Number of cabins (SxLxH): Short side (S) x Long side (L) x Height (H)

<b>1- storey</b>	 <p>The cabins can be linked at will or positioned individually <b>without restriction to the size of rooms.</b></p>
<b>2- storey</b>	<p><b>Single line (Quantity of long sides = 1)</b></p> <div style="display: flex; justify-content: space-around; align-items: flex-start;"> <div style="text-align: center;">  <p>2x1x2</p> </div> <div style="text-align: center;">  <p>3x1x2</p> </div> </div> <p>The illustrated two-storey buildings can be linked at will or positioned individually.  <b>The bracing outer walls must not be removed (maximum room size therefore 3x1 cabins).</b></p> <p><b>Position of the required bracing outer walls</b>          (bracing outer walls shown with broken lines)</p> <div style="display: flex; justify-content: space-around; align-items: center;"> <div style="text-align: center;">  <p>2x1</p> </div> <div style="text-align: center;">  <p>3x1</p> </div> </div> <p><b>Multiple rows (quantity of long sides ≥ 2)</b></p> <div style="text-align: center;">  </div> <p>From a minimum size of 2x2x2 cabins an extension of the building in all directions is possible, without restriction to the size of rooms.</p>
<b>3- storey</b>	<div style="display: flex; justify-content: space-around; align-items: flex-start;"> <div style="text-align: center;">  <p>3x1x3</p> </div> <div style="text-align: center;">  <p>3x2x3</p> </div> </div> <p>The illustrated three-storey buildings can be linked at will or positioned individually.  <b>The bracing outer walls must not be removed (maximum room size therefore 3x2 cabins).</b></p> <p><b>Position of the required bracing outer walls</b>          (bracing outer walls shown with broken lines)</p> <div style="display: flex; justify-content: space-around; align-items: center;"> <div style="text-align: center;">  <p>3x1</p> </div> <div style="text-align: center;">  <p>max.3x2</p> </div> </div>

Appendix 2

**Matrix of possible cabin combinations for 24' and 30' cabins**

Number of cabins (SxLxH): Short side (S) x Long side (L) x Height (H)

<p style="writing-mode: vertical-rl; transform: rotate(180deg);"><b>1- storey</b></p>		<p>The cabins can be linked at will or positioned individually <b>without restriction to the site of rooms.</b></p>
<p style="writing-mode: vertical-rl; transform: rotate(180deg);"><b>2- storey</b></p>	<p><b>Single line (Quantity of long sides = 1)</b></p>	<p>The illustrated two-storey buildings can be linked at will or positioned individually.  <b>The bracing outer walls must not be removed (maximum room size therefore 3x1 cabins).</b></p> <p><b>Position of the required bracing outer walls</b>          (bracing outer walls shown with broken lines)</p> 
	<p><b>Multiple rows (quantity of long sides ≥ 2)</b></p>  <p>From a minimum size of 2x2x2 cabins an extension of the building in the longitudinal direction only is possible without restriction to the size of rooms.</p>  <p>From a minimum size of 3x2x2 cabins an extension of the building in all directions is possible without restriction to the size of rooms.</p>	
<p style="writing-mode: vertical-rl; transform: rotate(180deg);"><b>3- storey</b></p>		<p>The illustrated three-storey buildings can be linked at will or positioned individually.  <b>The bracing outer walls must not be removed (maximum room size therefore 3x2 cabins).</b></p> <p><b>Position of the required bracing outer walls</b>          (bracing outer walls shown with broken lines)</p>

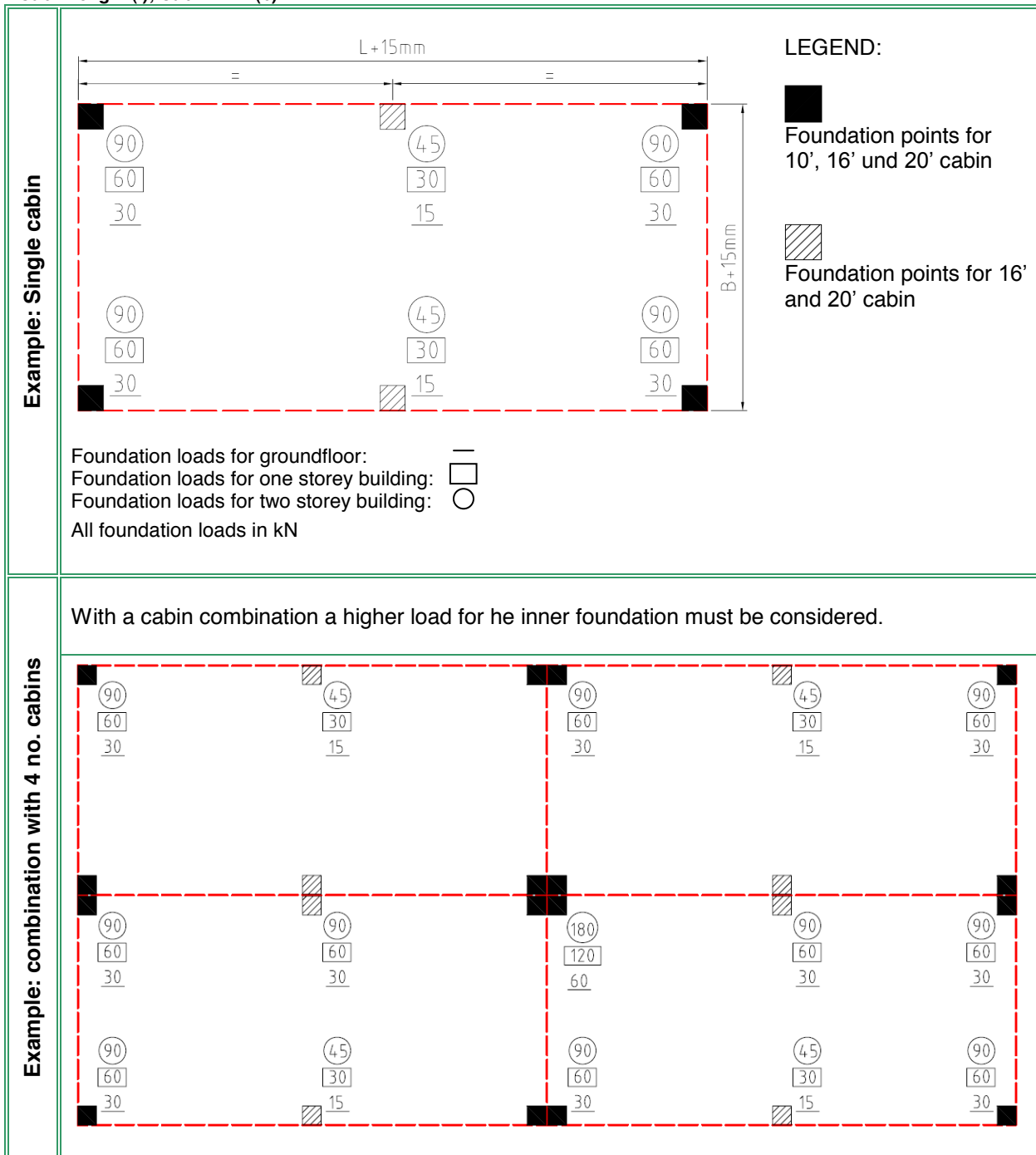


Appendix 3

**Standard Foundation plan for 10', 16' und 20' cabin**

Each individual cabin must be placed on foundations provided on site with at least 4 points of support for 10' cabins, 6 points of support for 16' or 20' cabins The smallest foundation size is 20 x 20 cm, but dimensions of the foundation has to be adapted to local circumstances, norms and frost line, under consideration of the local soil condition and the maximum possible loads. These measures have to be undertaken by the buyer/hirer.

Cabin length (l); Cabin with (b)

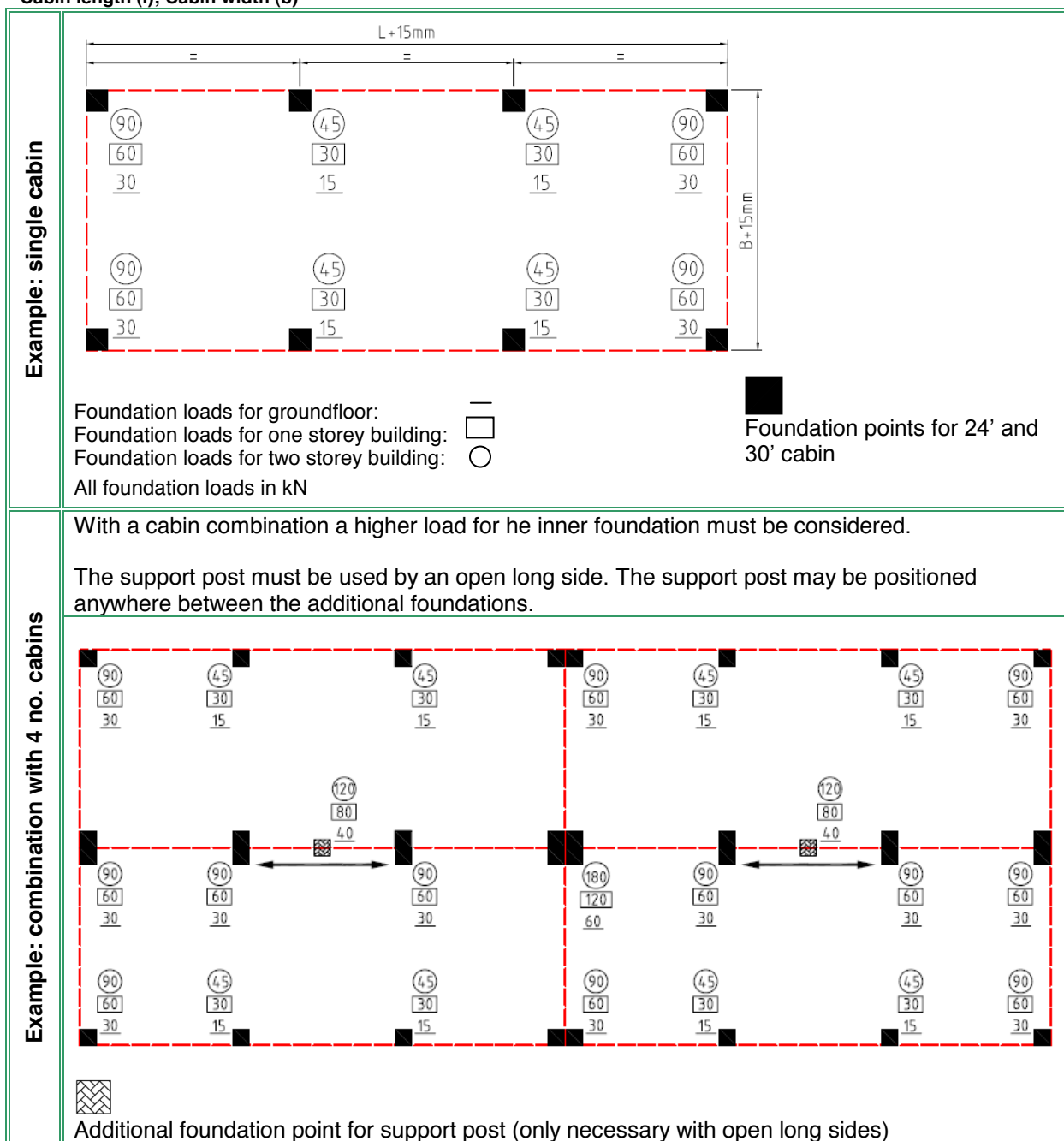


Appendix 4

**Standard Foundation plan for 24' and 30' cabin**

Each individual cabin must be placed on foundations provided on site with at least 8 points of support for 30' cabins. The smallest foundation size is 20 x 20 cm, but dimensions of the foundation has to be adapted to local circumstances, norms and frost line, under consideration of the local soil condition and the maximum possible loads. These measures have to be undertaken by the buyer/hirer.

Cabin length (l); Cabin width (b)



Appendix 5

## Handling instructions for 10', 16' and 20' Transpack cabins

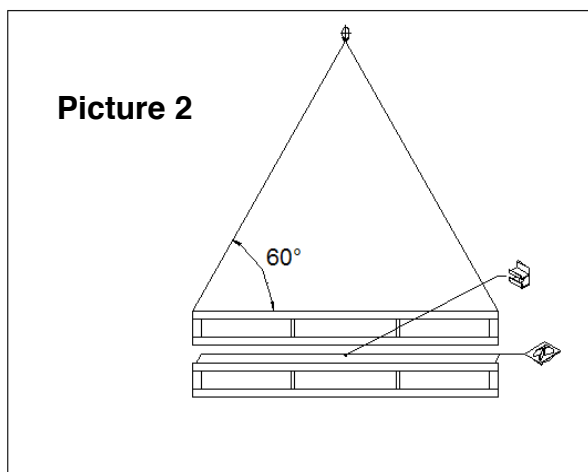
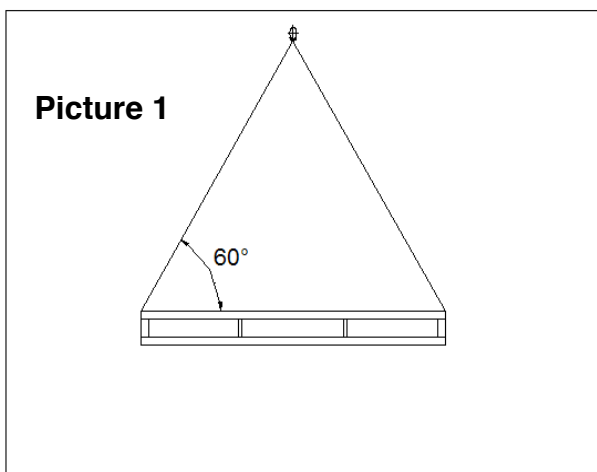
1. The packets must only be lifted with a forklift or crane. The ropes/chains must be fastened on the cabin eyes. The angle between the rope/chain and the horizontal line must be a minimum of 60° (picture 1).

Due to the construction and design, handling with a spreader is not possible.

2. Only single packets of the Transpack cabins are allowed to be lifted.
3. 4 pieces of stacking cones (in the corner casts) and 2 pieces of clamping wedges (1 piece on each of the longside roof sections) must be put between the individual packets (picture 2).
4. Do not place any extra weight on the top packet!
5. You must only stack max. 5 packets on top of each other.

Possible packet heights:

- 648 mm-standard
- 515 mm - depending on the configuration
- 864 mm - depending on the configuration



Appendix 6

## Handling instruction for 24' and 30' Transpack cabins

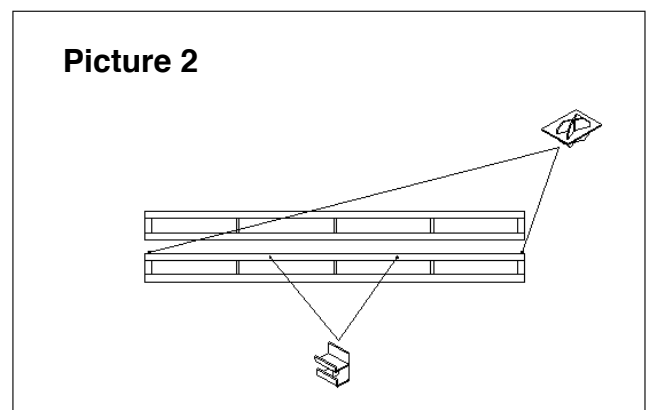
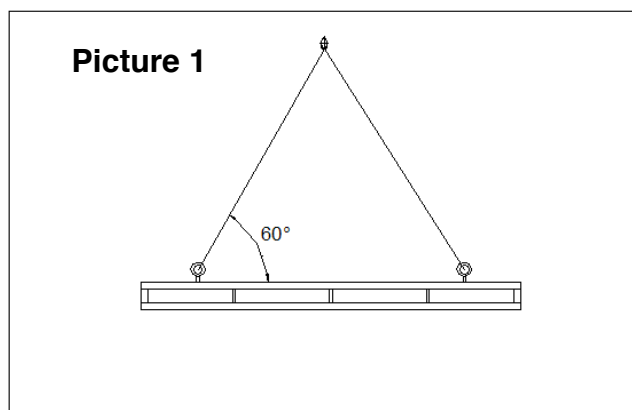
1. The packets can be lifted with a crane only. The ropes/chains must be fastened on the crane hooks screwed to the top frame. The angle between the rope/chain and the horizontal line must be a minimum of 60° (picture 1).

Due to the construction and design, handling with a spreader is not possible.

2. Only single packets of the Transpack cabins are allowed to be lifted.
3. 4 pieces of stacking cones (in the corner casts) and 4 pieces of clamping wedges (2 pieces on each of the longside roof sections) must be put between the individual packets (picture 2).
4. Do not place any extra weight on the top packet!
5. You must only stack max. 5 packets on top of each other.

Possible packet heights:

- 648 mm-standard
- 515 mm- depending on the configuration
- 864 mm- depending on the configuration



**CONTACT DETAILS:**

---



**tel: +44 (0)845 330 3713**

**web: [www.extraspace.co.uk](http://www.extraspace.co.uk)**

**email: [info@extraspace.co.uk](mailto:info@extraspace.co.uk)**

**address: Unit 27, Hobbs Industrial Estate Newchapel Near Lingfield Surrey RH7 6HN**

---

