

### SPECIFICATIONS

Max. Gross Input Power — hp (kW) ..	625 (466)
Max. Gross Input Torque —	
lb-ft (N•m) .....	2150 (2915)
Max. Turbine Torque — lb-ft (N•m) ..	3100 (4200)
Rated Input Speed — rpm .....	2100
Minimum Input Speed — rpm .....	600
Maximum Input Speed — rpm .....	2500
Weight, Dry (approx) — lb (kg)	
Without retarder .....	1300 (590)
With retarder .....	1500 (680)
Gears	
Forward/Reverse .....	8F/1R
Planetary Gear Ratios	
1F .....	5.73
2F .....	3.57
3F .....	2.72
4F .....	1.95
5F .....	1.43
6F .....	1.00
7F .....	0.74
8F .....	0.63
1R .....	-4.46
Overall .....	9.10

### STANDARD EQUIPMENT

Cartridge oil filter (remote mountable)  
Electronic Control Module (ECM)  
Electronic data link, SAE J1939, SAE J1587  
Electrical system 12V  
Integral torque converter  
Oil level sensor  
Side PTO mounting (1 o'clock, 8 o'clock)  
SAE No. 1 bell housing/SAE No. 2 mounting pads

### CAT® ENGINES FOR OPTIMIZED POWERTRAIN

C15  
C18

### ACCESSORY EQUIPMENT

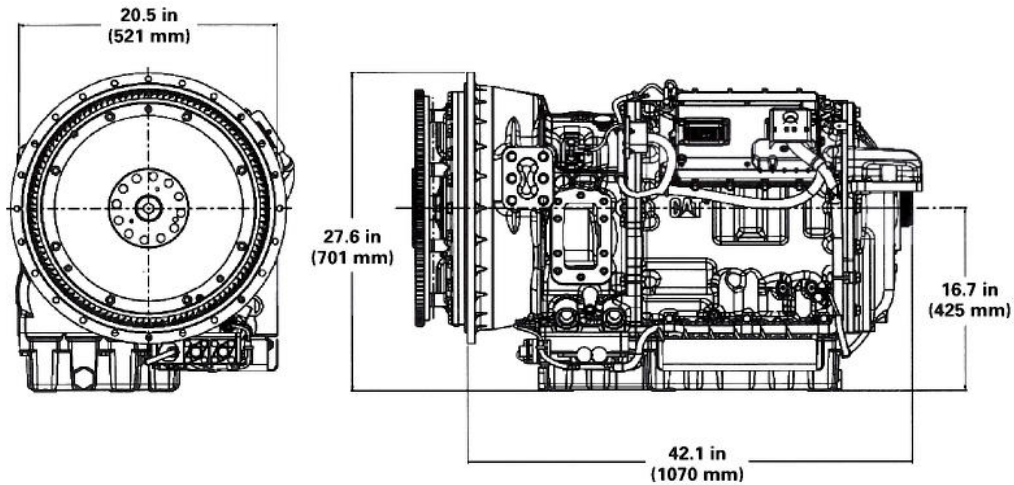
Hydraulic retarder  
Rear PTO driveshaft  
Shallow sump  
Spin-on oil filter (remote mountable)

### ELECTRONIC FEATURES

- SAE J1939 communications with vehicle systems, including:
  - Engines
  - OEM dashboards
  - Antilock braking systems
  - Traction control systems
  - Caterpillar® ET service tool
- Electronic drivers and switch inputs
  - PTO operation
  - Starter interlock
  - Backup alarm
  - Range and speed indication
- Shifter Interface
  - Pushbutton
  - Shift handle
- Caterpillar Messenger Display
  - Transmission and engine status display
  - Transmission and engine diagnostic display
  - Reprogramming of selected engine and transmission customer parameters
- Customer Parameter Programming
  - PTO functions
  - Range selection inhibits
  - Special vehicle operation modes
  - Retarder operation modes

**DIMENSIONS**

**Standard Sump**



Dimensions	Length in (mm)	Height in (mm)	Depth in (mm)	Width in (mm)
<b>Standard Sump</b>	42.1 (1070)	27.6 (701)	16.7 (425)	20.5 (521)
<b>Shallow Sump</b>	42.1 (1070)	25.7 (653)	14.8 (375)	20.5 (521)

**CLUTCHES**

Clutches — electro-hydraulic fully modulated, oil cooled, multidisc  
 Clutch modulation control — Cat® Electronic Clutch Pressure Control (ECPC)

**INSTALLATION CONNECTIONS**

2 oil cooler lines (in/out)  
 2 electrical connectors

**OIL SYSTEM**

Dexron IIIH ATF  
 Max sump oil temperatures  
     Continuous — 195°F (90°C)  
     Intermittent — 250°F (120°C)  
 Hydraulic fill capacity (does not include coolers, lines) —  
     Standard Sump: 14 gal (53 L)  
     Shallow Sump: 12 gal (45 L)

**MOUNTINGS**

Input connection (flywheel) — SAE #1 dry flywheel housing with flexplate converter drive SAE #2 pads  
 Output connection (yoke) — 1810, SPL 250, 9C

**PTO PROVISIONS**

**(continuous operation, engine driven)**

Side — 1 drive, 685 lb-ft (929 N•m); 2 drives (combined), 1175 lb-ft (1593 N•m)  
 Rear — 800 lb-ft (1085 N•m)  
 Multiple Rear — TBD

**ROTATION**

Input rotation — SAE J824 standard  
 Output rotation — forward, same as input  
                             reverse, opposite of input

CAT, CATERPILLAR, their respective logos and "Caterpillar Yellow," as well as corporate and product identity used herein, are trademarks of Caterpillar and may not be used without permission.

Materials and specifications are subject to change without notice. (7-05)

©2005 Caterpillar  
 All rights reserved.  
 The International System of Units (SI) is used in this publication.