

Specialty Application Rating

SPECIFICATIONS

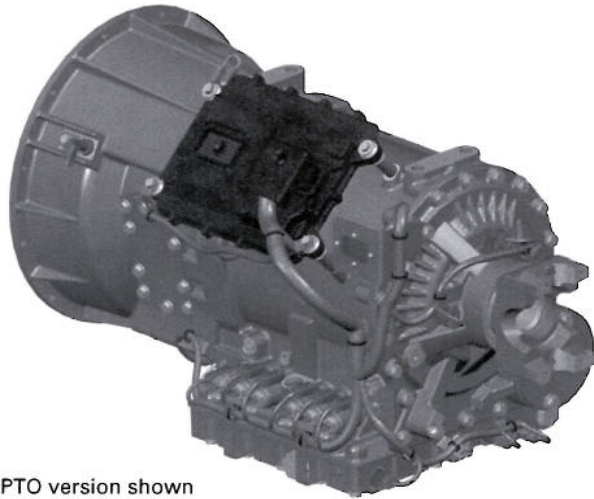
Max. Gross Input Power — hp (kW) ..	400 (298)
Max. Gross Input Torque —	
lb-ft (N•m).....	1250 (1695)
Max. Turbine Torque — lb-ft (N•m) ..	1770 (2400)
Rated Input Speed — rpm	2400
Minimum Input Speed — rpm	600
Maximum Input Speed — rpm	2800
Weight, Dry (approx) — lb (kg)	
Non PTO	560 (255)
PTO	610 (277)

Gears

Forward/Reverse

Planetary Gear Ratios

1F.....	3.76
2F.....	1.96
3F.....	1.37
4F.....	1.00
5F.....	0.77
6F.....	0.65
1R.....	-4.14
Overall	5.78



PTO version shown

STANDARD EQUIPMENT

Electronic Control Module (ECM)
Electronic data link, SAE J1939, SAE J1587
Electrical system 12V
Integral torque converter
Oil fill tube, left and right
Oil level sensor
SAE No. 2 bell housing
Spin-on filter

CAT® ENGINES FOR OPTIMIZED POWERTRAIN

C7
C9

OPTIONAL EQUIPMENT

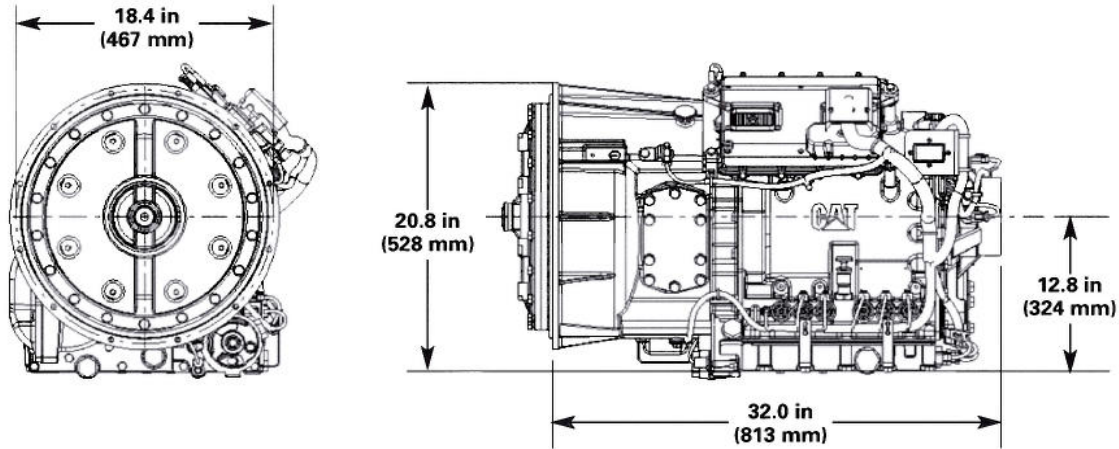
High capacity rear PTO (RPTO)
PTO pump drive, rear — 2 o'clock, 8:30
Remote mountable filter
Shallow sump

ELECTRONIC FEATURES

- SAE J1939 communications with vehicle systems, including:
 - Engines
 - OEM dashboards
 - Antilock braking systems
 - Traction control systems
 - Caterpillar® ET service tool
- Electronic drivers and switch inputs
 - PTO operation
 - Starter interlock
 - Backup alarm
 - Range and speed indication
- Shifter Interface
 - 6-button, dual display
 - Shift lever with dual display
- Caterpillar Messenger Display
 - Transmission and engine status display
 - Transmission and engine diagnostic display
 - Reprogramming of selected engine and transmission customer parameters
- Customer Parameter Programming
 - PTO functions
 - Range selection inhibits
 - Special vehicle operation modes
 - Engine retarder operation modes

DIMENSIONS

Standard Sump PTO Option



Dimensions		Length in (mm)	Height in (mm)	Depth in (mm)	Width in (mm)
PTO	Standard Sump	32.0 (813)	20.8 (528)	12.8 (324)	18.4 (467)
	Shallow Sump	32.0 (813)	20.8 (528)	11.2 (284)	18.4 (467)
Non PTO	Standard Sump	28.3 (719)	20.7 (527)	12.7 (323)	18.4 (467)
	Shallow Sump	28.3 (719)	20.7 (527)	11.1 (283)	18.4 (467)

CLUTCHES

Clutches — electro-hydraulic fully modulated, oil cooled, multidisc
Clutch modulation control — Cat® Electronic Clutch Pressure Control (ECPC)

INSTALLATION CONNECTIONS

2 cooler lines (in/out)
2 electrical connectors

OIL SYSTEM

Dexron® IIIH ATF
Max sump oil temperatures
Continuous — 195°F (90°C)
Intermittent — 250°F (120°C)
Estimated start-up volume (excludes lines and cooler) —
Standard Sump: 6.5 gal (25 L)
Shallow Sump: 5.0 gal (19 L)

MOUNTINGS

Input connection (flywheel) — SAE #2 dry flywheel housing with flexplate converter drive
Output connection (yoke) — 1710, 1760, SPL 100, SPL 140, SPL 170

PTO PROVISIONS (continuous operation)

Side — 1 drive, 500 lb-ft (678 N•m); 2 drives (combined), 700 lb-ft (949 N•m)
Rear — 500 lb-ft (678 N•m)

ROTATION

Input rotation — SAE J824 standard
Output rotation — forward, same as input
reverse, opposite of input

Materials and specifications are subject to change without notice. The International System of Units (SI) is used in this publication. CAT, CATERPILLAR, their respective logos, and "Caterpillar Yellow," as well as corporate and product identity used herein, are trademarks of Caterpillar and may not be used without permission.